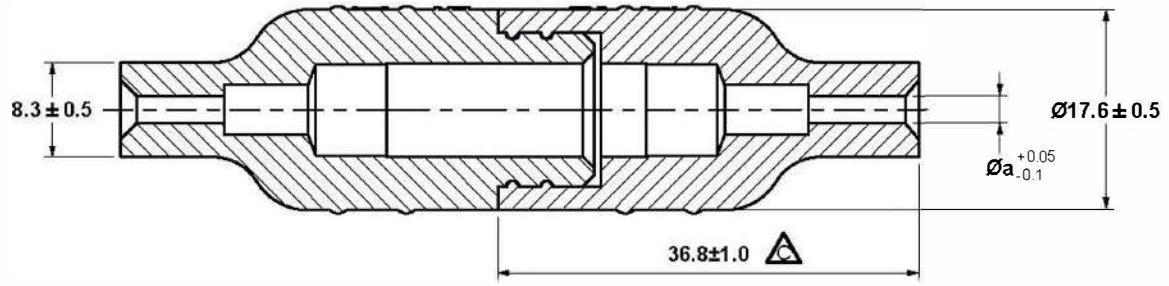
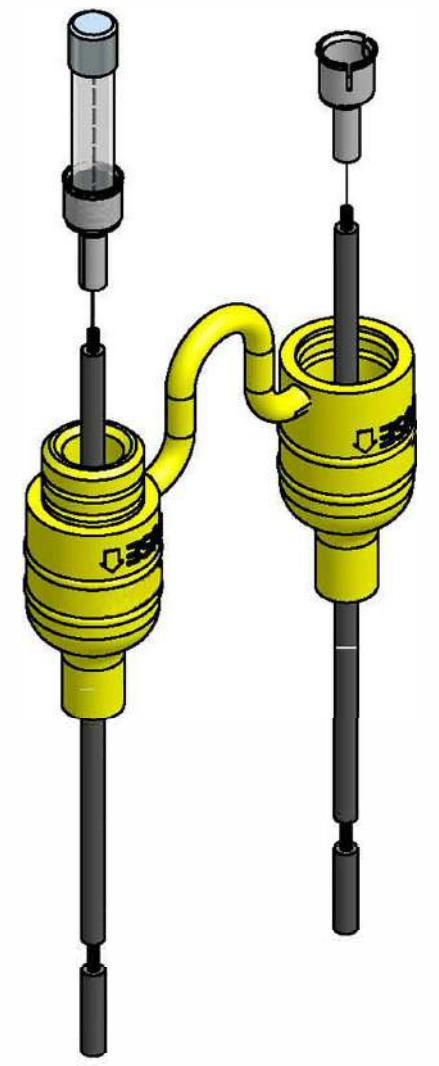
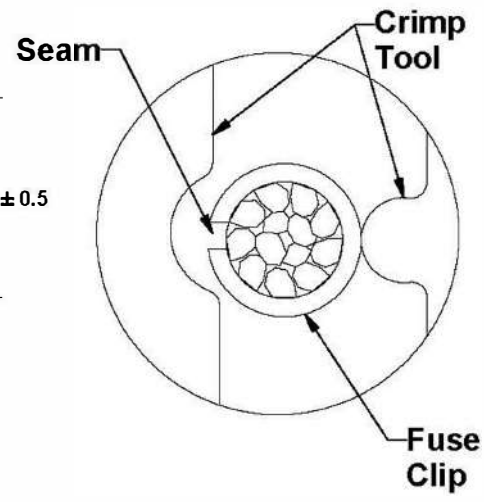


wire	øa
#12	ø3.2
#14	ø3.2
#16	ø2.8
#18	ø2.4
#20	ø2.1



SECTION A-A :

PROPER FUSECLIP ALIGNMENT



IN-LINE FUSEHOLDER(SPLASH WATERPROOF TYPE)
FOR 6.35X30mm AND 6.35X32mm FUSES

SPECIFICATIONS:

Applicable: For 3AG fuse type AGC, SFE, JSO and MFA

Electrical: Rated for currents up to 30A, when proper wire size / and fuse clip is installed for fuse size

Insulating body: Thermoplastic rubber / PVC, Color : Yellow

Fuse clip: Brass / Tin- plating

Note: With other wire sizes or lengths available on special order.

UNLESS OTHERWISE SPECIFIED
DIMENSIONS ARE IN MM
TOLERANCE
DECIMALS ANGULAR
X± 0.5 ± 2°
XX± 0.25
DO NOT SCALE DRAWING



P/N	
REV	C

CUSTOMER NO.	
DRAWN BY	Allan
CHECKED BY	
APPROVED BY	
DATE	2012/11/2
SCALE	

TITLE	IN-LINE FUSE HOLDER
PART NO.	SL-711
DRAWING NO.	BA07071801